

Husqvarna



SYMBOL EXPLANATION

Symbols



WARNING! Clearing saws, brushcutters and trimmers can be dangerous! Careless or incorrect use can result in serious or fatal injury to the operator or others.



Read through the Operator's Manual carefully and understand the content before using the machine.



Always use

- A protective helmet where there is a risk of falling objects
- Ear protection
- Approved eye protection



- Max. speed of output axle, rpm



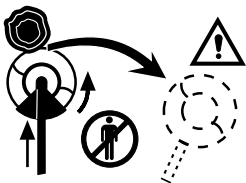
- This product is in accordance with applicable CE directives.



- Beware of thrown objects and ricochets.



- The operator of the machine shall ensure, while working, that no persons or animals come closer than 15 metres.



- Machines fitted with clearing or grass blades can be thrown violently to the side when the blade comes into contact with a fixed object. The blade can cause the amputation of arms and legs. Always keep people and animals at least 15 metres from the machine.



- Arrows which show limits for handle mounting.



- Always wear approved protective gloves.

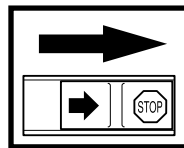


- Use anti-slip and stable boots.

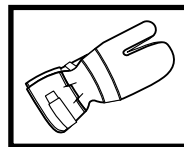


- Only use non-metallic, flexible cutting elements, that is trimmer head with trimmer cord.

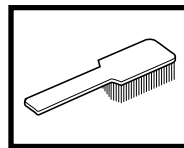
Other symbols/decals on the machine refer to special certification requirements for certain markets.



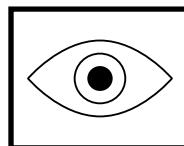
Checks and/or maintenance should be carried out with the engine switched off, with the stop switch in the STOP position.



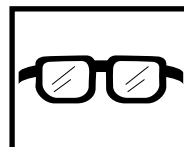
Always wear approved protective gloves.



Regular cleaning required.



Ocular control.



Approved eye protection must always be used.

CONTENTS

Husqvarna AB has a policy of continuous product development and therefore reserves the right to modify the design and appearance of products without prior notice.



WARNING!

Under no circumstances may the design of the machine be modified without the permission of the manufacturer. Always use genuine accessories. Non-authorized modifications and/or accessories can result in serious personal injury or the death of the operator or others.

List of contents

SYMBOL EXPLANATION

Symbols 2

CONTENTS

List of contents 3

SAFETY INSTRUCTIONS

Personal protective equipment 4

The machine's safety equipment 4

Control, maintenance and service of the machine's safety equipment 6

Cutting equipment 8

General safety instructions 9

General working instructions 10

Adjusting the harness and clearing saw 10

Basic clearing techniques 11

WHAT IS WHAT?

What is what on the grass trimmer/brush cutter? 13

ASSEMBLY

Assembling the J-handle 14

Assembly of the blade and trimmer head 14

Assembling the transport guard 14

Assembling the blade guard and grass blade 14

Assembling other guards and cutting equipment 15

Assembling the spray guard 15

Assembling the flexible shaft 15

Connecting throttle cable and stop switch wires 15

Cable adjustment 16

Adjusting the harness and clearing saw 16

FUEL HANDLING

Fuel mixture 17

Fuelling 17

START AND STOP

Control before starting 18

Start and stop 18

MAINTENANCE

Carburettor 19

Muffler 19

Cooling system 20

Air filter 20

Drive shaft 20

Angle gear 21

Spark plug 21

Filing the grass blade 21

Maintenance schedule 22

TECHNICAL DATA

142RB/152RB 23

SAFETY INSTRUCTIONS

Personal protective equipment

IMPORTANT INFORMATION

- A brush cutter, brushcutter or trimmer used incorrectly or carelessly can become a dangerous tool, that can cause serious or fatal injury to the operator or others. It is extremely important that you read and understand the content of this manual.
- When using a brush cutter, brushcutter or trimmer, personal protective equipment approved by the appropriate authorities must be used. Personal protective equipment does not eliminate the risk of accidents, however, it can reduce the effects of an injury in the event of an accident. Ask your dealer for help when choosing protective equipment.



WARNING!
Remove your hearing protection as soon as you stop the engine, so that you can hear any noises or warning signals.

HELMET

A helmet should be worn if trees to be cleared are higher than 2 metres.

EAR PROTECTION

Ear protection offering sufficient dampening effect should be used.

EYE PROTECTION

Blows from branches or objects thrown by the rotating cutting equipment can damage the eyes.

GLOVES

Gloves should be worn when necessary, e.g., when assembling cutting equipment.

BOOTS

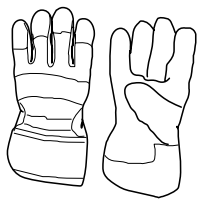
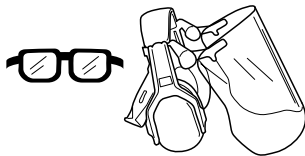
Use anti-slip and stable boots.

CLOTHING

Wear clothes made of a strong fabric and avoid loose clothing that can catch on shrubs and branches. Always wear heavy-duty long pants. Do not wear jewellery, shorts, sandals or go barefoot. Secure hair so it is above shoulder level.

FIRST AID KIT

A first aid kit should be carried by operators of brush cutters, brushcutters or trimmers.



The machine's safety equipment

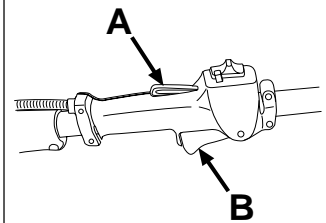
This section describes the machine's safety equipment, its function and how checks and maintenance are carried out to ensure that it operates correctly. (See the chapter "What is what" to locate where this equipment is positioned on your machine.)



WARNING!
Never use a machine with defective safety equipment. Follow the control, maintenance and service instructions described in this section.

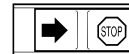
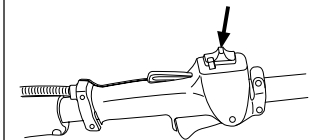
1. Throttle trigger lock

The throttle trigger lock is designed to prevent the throttle from accidentally being engaged. When the trigger lock (A) is pressed into the handle (= when you hold the handle) the throttle (B) is released. When the grip on the handle is released the throttle and the throttle trigger lock return to their original positions. This takes place via two independent return spring systems. This means that the throttle is automatically locked in its "idling" position.



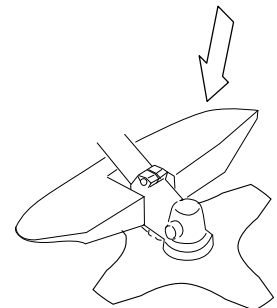
2. Stop switch

The stop switch should be used to stop the engine.



3. Cutting attachment guard

This guard is intended to prevent objects from being thrown towards the operator and to protect the operator from unintentional contact with the cutting attachment.



WARNING!
Under no circumstances may the cutting equipment be used without an approved guard fitted. See the chapter "Technical data". If the wrong guard or a defective guard is fitted this can cause serious personal injury.

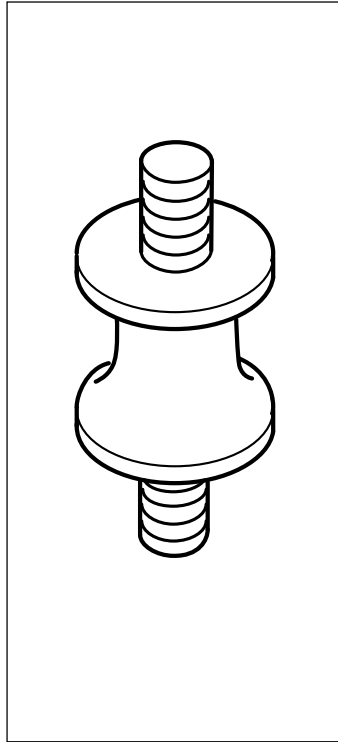
SAFETY INSTRUCTIONS

4. Vibration damping system

Your machine is equipped with a vibration damping system, which is designed to give as vibration-free and comfortable use as possible.

The use of blunt or incorrect cutting equipment (the wrong type or incorrectly sharpened, see the section “Sharpening the blade”) increases the level of vibration.

The machine’s vibration damping system reduces the transfer of vibrations between the engine unit/cutting equipment and the machine’s handle unit.

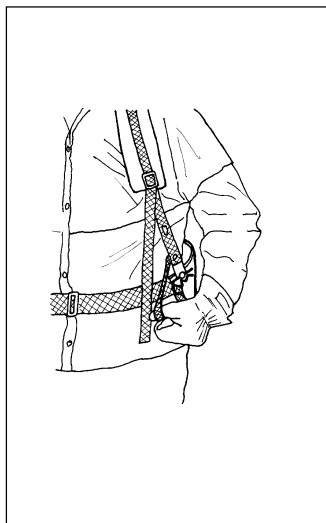


WARNING!

Over exposure to vibrations can result in blood-vessel or nerve injury to persons suffering with blood circulation problems. Seek medical attention if you experience physical symptoms that can be related to over exposure to vibrations. Examples of such symptoms are “numbness”, lack of feeling, “tickling”, “pricking”, “pain”, lack of or a reduction in normal strength, changes in the colour of the skin or its surfaces. These symptoms normally appear in the fingers, hands or wrists.

5. Quick-release

There is an easily accessible, quick-release catch fitted to the chest as a safety precaution in the event of a fire in the engine or for any other situation that requires you to free yourself from the machine and harness. See the section “Adjusting the harness and brush cutter”.

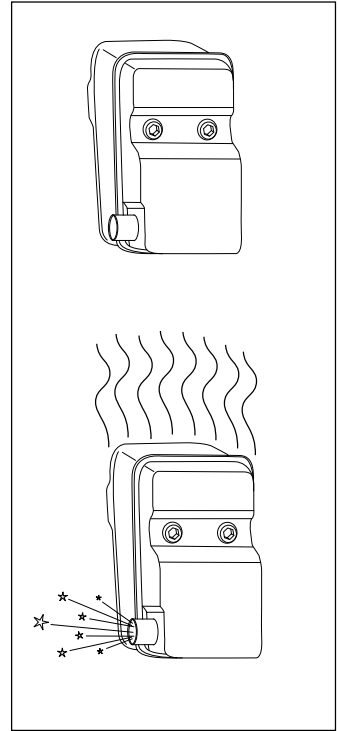


6. Muffler

The muffler is designed to give the lowest possible noise level and to direct the engine’s exhaust fumes away from the operator. .

In countries that have a warm and dry climate the risk of fire is obvious. We have therefore fitted certain mufflers with a spark arrestor screen. Make sure that your muffler is fitted with this kind of screen.

It is extremely important that the instructions for checking, maintaining and servicing the muffler are followed. (see the section “Control, maintenance and service of the machine’s safety equipment”).



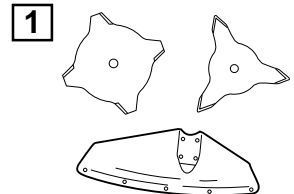
WARNING!

Bear in mind that exhaust fumes:

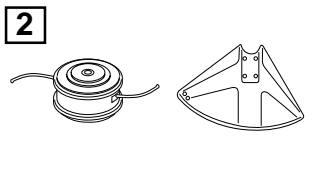
- contain carbon monoxide, which can cause carbon monoxide poisoning. Therefore never start or run the machine indoors.
- are hot and can contain sparks that can cause fires. Never start the machine indoors or close to inflammable material.

7. Cutting equipment

1) Grass blades are intended for brush cutting.

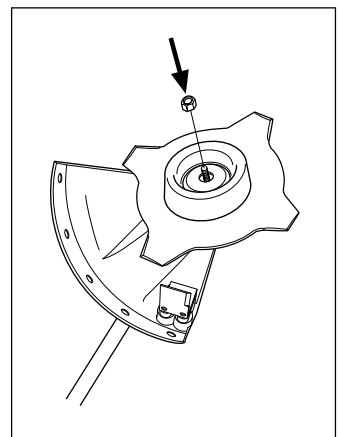


2) The trimmer head is intended for trimming grass.



8. Locking nut

A locking nut is used to secure some types of cutting equipment on the output shaft.



SAFETY INSTRUCTIONS

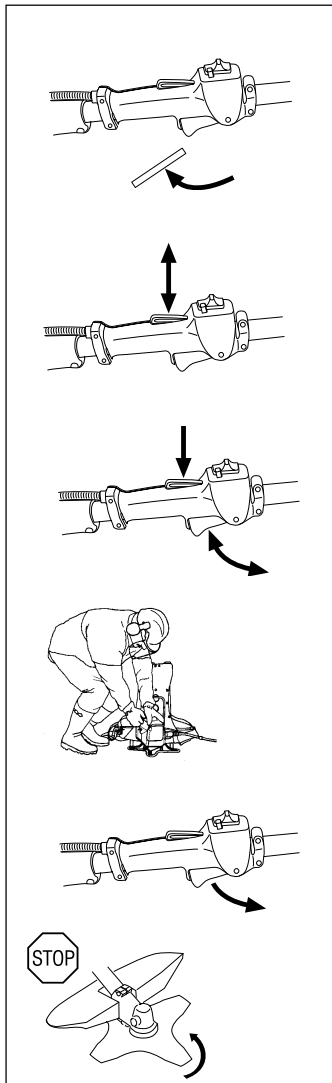
Control, maintenance and service of the machine's safety equipment

IMPORTANT INFORMATION

- All service and repairs to the machine require special training.
- This applies especially to the machine's safety equipment. If the machine does not meet any of the controls listed below you should contact your service workshop.
- The purchase of one of our products guarantees that professional repair and servicing will be carried out on it. If the point of purchase is not one of our servicing dealers, please ask for details of the closest service workshop.

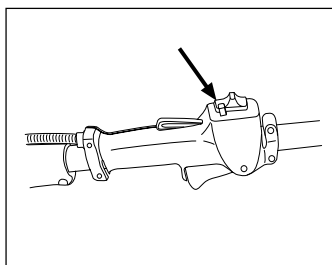
1. Throttle trigger lock

- Check that the throttle is locked in the "idling position" when the throttle trigger lock is in its original position.
- Press in the throttle trigger lock and make sure it returns to its original position when released.
- Ensure that the throttle and throttle trigger lock move easily and that their return spring systems function.
- See section "Start". Start the machine and apply full throttle. Release the throttle and check that the cutting equipment stops and remains at a standstill. If the cutting equipment rotates with the throttle in the idling position then the carburettor's idling setting must be checked. See chapter "Maintenance".



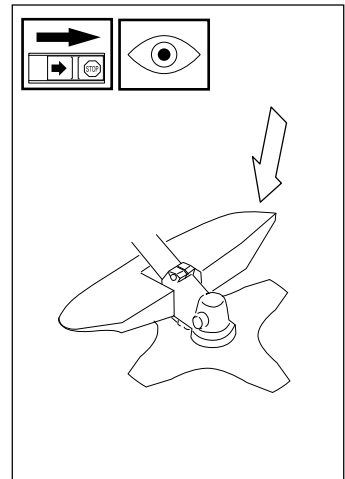
2. Stop switch

- Start the engine and make sure that the engine stops when the stop switch is moved to the stop position.



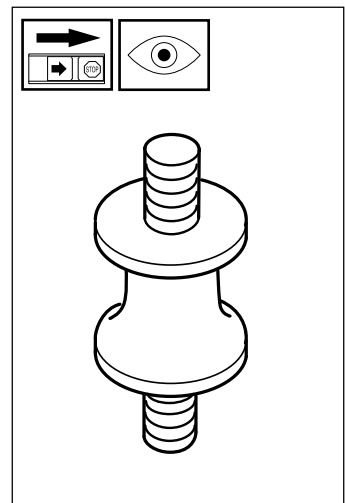
3. Cutting attachment guard

- Check that the guard is undamaged and not cracked.
- Replace the guard if it has been exposed to impact or is cracked.
- Always use the prescribed blade and guard combination, see chapter "Technical data".



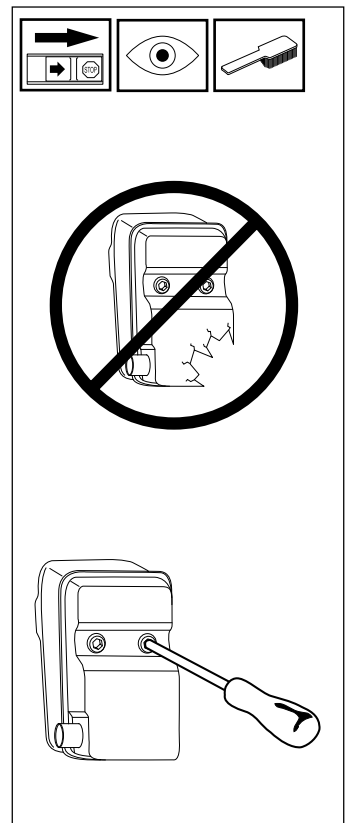
4. Vibration damping system

- Check the vibration damping element regularly for material cracks and distortion.
- Check that the vibration damping element is undamaged and securely attached.



5. Muffler

1. Never use a machine that has a defective muffler.
2. Check regularly that the muffler is secure.
3. If your muffler is fitted with a spark arrestor screen then it should be cleaned regularly. A blocked screen leads to the engine overheating with serious damage as a result. Never use a muffler with a defective spark arrestor screen.



SAFETY INSTRUCTIONS

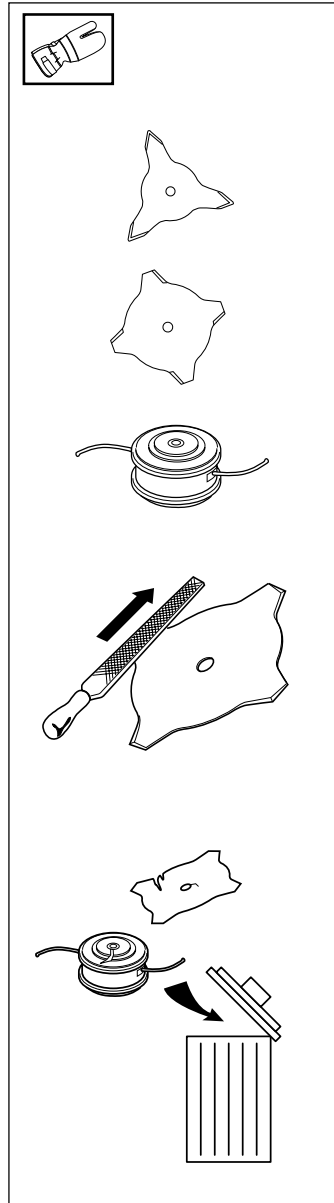
6. Cutting equipment

This section describes how through correct maintenance and through using the right type of cutting equipment you can:

- Reduce the machine's tendency to kickback
- Obtain maximum cutting capacity.
- Increase the service life of the cutting equipment.

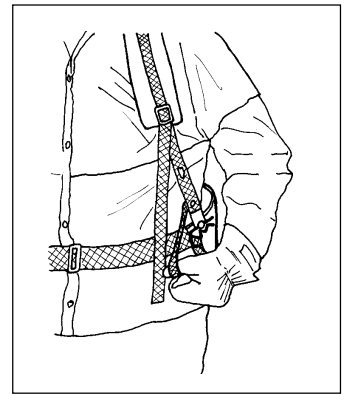
The three basic rules:

- 1) Only use the cutting and guard equipment we recommend! See chapter "Technical data".
- 2) Keep the blade's teeth well and correctly sharpened! Follow our instructions and use the recommended filing gauge. An incorrectly sharpened or damaged blade increases the risk of an accident.
- 3) Check the cutting equipment with regard to damage and crack formation. Damaged cutting equipment should always be replaced.



7. Quick-release

- Check that the harness straps are correctly positioned. When the harness and machine are adjusted, check the harness' safety release catch to ensure it works correctly.

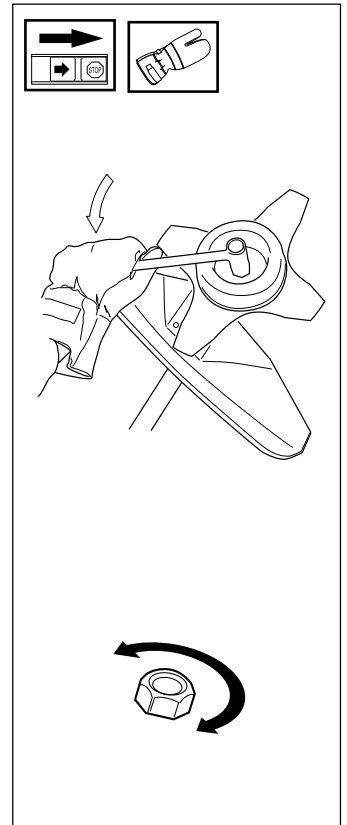


8. Locking nut

- Protect your hand from injury when assembling, use the blade guard as protection when tightening with a socket spanner. Tighten the nut by turning against the direction of rotation. Loosen the nut by turning in the direction of rotation. (NOTE! the nut has a left-hand thread).
- Tighten the nut using a socket spanner, 35 - 50 Nm (3.5 - 5 kpm).

NOTE!

The locking nut's nylon lock must not be so worn that it can be turned by hand. The lock shall hold at least 1.5 Nm. The nut should be replaced after it has been put on approx. 10 times.



WARNING!

Never use a machine with defective safety equipment. The safety equipment should be maintained as described in this section. If your machine does not meet any of these controls you should contact your service workshop.

SAFETY INSTRUCTIONS

Cutting equipment

IMPORTANT INFORMATION

The section describes how through correct maintenance and through using the right type of cutting equipment you can reduce the machine's tendency to kickback, obtain maximum clearing capacity and increase the service life of the cutting equipment.

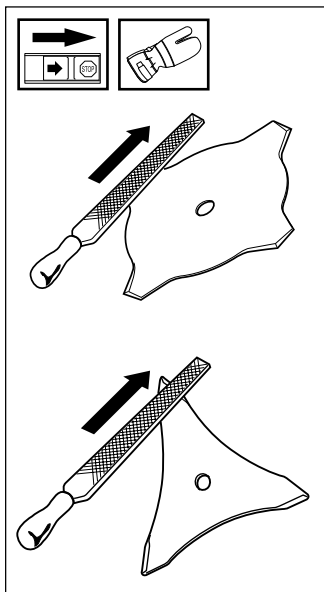
- Only use the cutting and guard equipment we recommend! See chapter "Technical data".
- Refer to the instructions for the cutting equipment for the correct winding of cord and for the selection of the right cord diameter.
- Keep the blade's teeth well and correctly sharpened! Follow our recommendations. Also refer to the instructions on the blade packaging.



WARNING!
Incorrect cutting equipment or an incorrectly sharpened blade increases the risk of kickback.

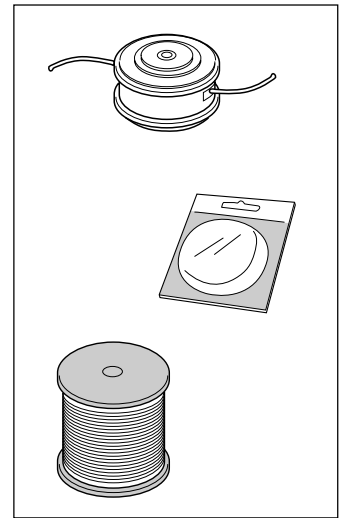
Filing the grass blade

- See the cutting equipment's packaging for correct filing instructions.
- The blades are sharpened using a single cut flat file.
- Sharpen all edges equally to maintain the balance of the blade.



Trimmer head

- Only use a trimmer head and trimmer cord that is recommended. These have been tested by the manufacturer to suit a particular engine size. This is especially important when a fully automatic trimmer head is used. Only use the cutting equipment we recommend! See chapter "Technical data".



- Generally smaller machines require a small trimmer head and vice versa. This is because when clearing using a cord the engine must throw out the cord radially from the trimmer head and also meet resistance from the grass being cleared.
- The length of the cord is also important. A longer cord requires greater engine power than a shorter cord of the same diameter.
- Make sure the knife positioned on the trimmer guard is intact. This is used to cut the cord to the correct length.
- To increase the life of the cord it can be soaked in water for a few days. This will make the line tougher and it will keep longer.

IMPORTANT INFORMATION

Always ensure the trimmer cord is wound tightly and evenly around the drum, otherwise harmful vibrations will occur.



WARNING!
Always stop the engine before starting work on any part of the cutting equipment. This continues to rotate even after the throttle has been released. Ensure that the cutting equipment has stopped completely and remove the cable from the spark plug before you start to work on it.

SAFETY INSTRUCTIONS

General safety instructions

IMPORTANT INFORMATION

- The machine is only designed for trimming grass and brush cutting.
- The only accessories to be used with the engine unit as a drive source are the cutting units we recommend in the chapter "Technical data".
- Never use the machine if you are tired, if you have consumed alcohol, or if you are taking medicines that can affect your sight, your judgement or the control of your body.
- Use personal protective equipment. See the section "Personal protective equipment".
- Never use a machine that has been modified so that it no longer corresponds with the original design.
- Never use a machine that is faulty. Follow the maintenance, control and service instructions in this Operator's Manual. Some maintenance and service actions should be carried out by trained and qualified specialists. See the chapter "Maintenance".
- All covers and guards must be fitted before starting the machine. Check that the spark plug cap and HT lead are not damaged, otherwise you could get an electric shock.
- The machine operator shall ensure, while working, that no persons or animals come closer than 15 metres. When several operators are working in the same area the safety distance should be at least double tree length, however, at least 15 metres.



WARNING!

Faulty cutting equipment or an incorrectly sharpened blade increases the risk of accidents.

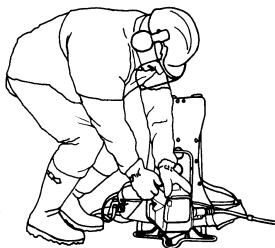
Start



WARNING!

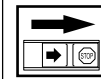
When the engine is started with the choke in either the choke or start throttle positions the cutting equipment starts to rotate immediately.

- The complete clutch cover with shaft must be fitted before the machine is started, otherwise the clutch can become loose and cause personal injury.
- Never start the machine indoors. Bear in mind the dangers of inhaling the engine's exhaust fumes.
- Observe your surroundings and make sure that there is no risk of people or animals coming into contact with the cutting equipment.
- Place the machine on the ground, ensure the cutting equipment runs free of twigs and stones. Push the machine body towards the ground using your left hand. (NOTE! Not with your foot). Grip the starter handle with your right hand and pull the starter cord.

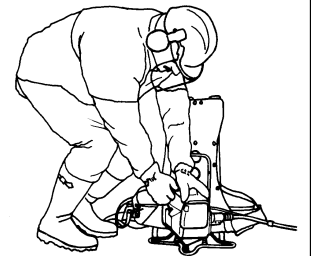
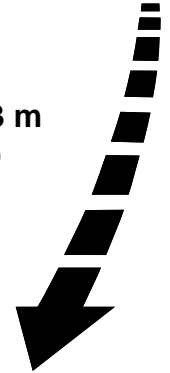


Fuel safety

- Always use a fuel container with an anti-spill valve.
- Never fill the machine while the engine is running. Always stop the engine and let it cool for a few minutes before refuelling.
- Provide good ventilation when filling or mixing fuel (petrol and 2-stroke oil).
- Move the machine at least 3 m from the filling position before starting.
- Never start the machine:
 - a) If you have spilt fuel on it. Wipe up all spillage.
 - b) If you have spilt fuel on yourself or your clothes. Change your clothes.
 - c) If there is a fuel leak. Make regular checks for leakage from the fuel cap and the fuel supply pipes.



Min 3 m
(10ft)



Transport and storage

- Store and transport the machine and fuel so that any leakage or fumes do not risk coming into contact with sparks or naked flames. For example, electric machines, electric motors, electrical switches/power switches, heaters or the like.
- When storing and transporting fuel approved containers intended for this purpose must be used.
- When storing the machine for long periods the fuel tank must be emptied. Contact your local petrol station to find out how to dispose of excess fuel.
- Always keep the transport guard attached when transporting and storing the machine.



WARNING!

Exercise great care when handling fuel. Bear in mind the risk of fire, explosions and inhaling fumes.

SAFETY INSTRUCTIONS

General working instructions

IMPORTANT INFORMATION

- This section takes up the basic safety precautions for working with the brush cutter and trimmer.
- If you encounter a situation where you are uncertain how to proceed you should ask an expert. Contact your dealer or your service workshop.
- Avoid all usage which you consider to be beyond your capability.
- Before starting you must understand the difference between forestry clearing, brush cutting and grass trimming.

Basic safety precautions

1. Observe your surroundings:

- To ensure that people, animals or other things cannot affect your control of the machine.
- To ensure that the above mentioned do not come into contact with the cutting equipment or objects that can be thrown by the cutting equipment.
- **NOTE!** Never use a machine without the possibility of calling for help in the event of an accident.

- ### 2. Avoid usage in unfavourable weather conditions. For example, thick fog, heavy rain, strong winds or extreme cold, etc. To work in bad weather conditions is tiring and can create dangerous situations, for example, slippery surfaces.



- ### 3. Make sure you can walk and stand safely. Look out for any obstacles with unexpected movement (roots, stones, branches, pits, ditches, etc.). Take great care when working on sloping ground.

- ### 4. The engine should be switched off before moving. When moving over longer distances and transporting the transport guard should be used.

- ### 5. Never put the machine down with the engine running unless you have good sight of it.

Adjusting the harness and brush cutter



WARNING!

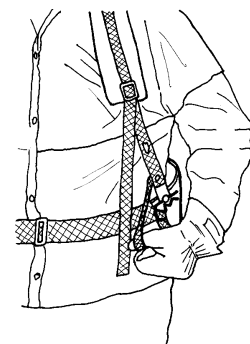
When working with the brush cutter the harness should always be worn. If this is not done, you cannot control the brush cutter safely and this can result in injury to yourself or someone else. Never use a harness with a defective quick release catch.

Quick release

On the front is an easily accessible, quick release catch:

- Pull out the red strap.
- The hip strap and one shoulder strap will be automatically released at the same time and the harness and the engine unit will slide to the ground.

Use this if the engine should catch fire or in any other emergency situation when you quickly need to take off the harness and machine.



Equal load on shoulders

A well matched saw and harness make work much easier. Adjust the harness to give the best working stance. Adjust the side straps so that the weight is equally divided across the shoulders.



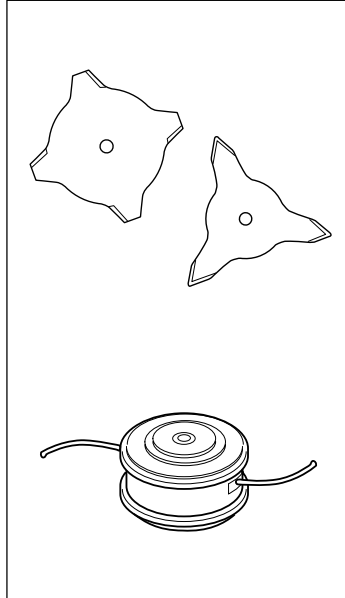
SAFETY INSTRUCTIONS

Basic clearing techniques

- Always carry out clearing and trimming at full throttle.
- Always drop to idling speed after each working operation. Longer periods running at full throttle without loading the engine (that is without resistance, which the engine feels from the cutting equipment when trimming) can lead to serious engine damage.

Designations

- Brush cutting is a general term for clearing grass. Grass blades are used for this purpose.
- Grass trimming is a general term for light clearing, e.g. around edges or around trees. A trimmer head or plastic blade is used.



WARNING!
Sometimes grass can collect in the spray guard and cutting head. Always stop the engine when cleaning.

Brush cutting using a grass blade

- A blade is used for all types of high or thick grass.
- The grass is cut down with a sideways, swinging movement, where the movement from right-to-left is the clearing stroke and the movement from left-to-right is the return stroke. Let the blade work on the left-hand side (between 8 and 12 o'clock).



- If the blade is angled to the left when clearing the grass will collect in a line, which makes collection easier, e.g. when raking.
- Try to work rhythmically. Stand firmly with your feet apart. Move forward after the return stroke and stand firmly again.
- Let the support cup rest lightly against the ground. It is used to protect the blade from hitting the ground.
- Reduce the risk of material wrapping around the blade by following these instructions:
 - a) Always work at full throttle.
 - b) Avoid the previously cut material during the return stroke.
- Stop the engine, loosen the harness and place the machine on the ground before you start to collect the cut material.



WARNING!
Neither the user of the tool or anyone else may attempt to remove the cut material while the engine is running or with the blade rotating as this can result in serious injury. Stop the engine and blade before you remove material that has wound around the blade as otherwise there is a risk of injury. The bevel gear unit can get hot during use and may remain so for a while afterwards. There is a risk of slight burns if you touch it.

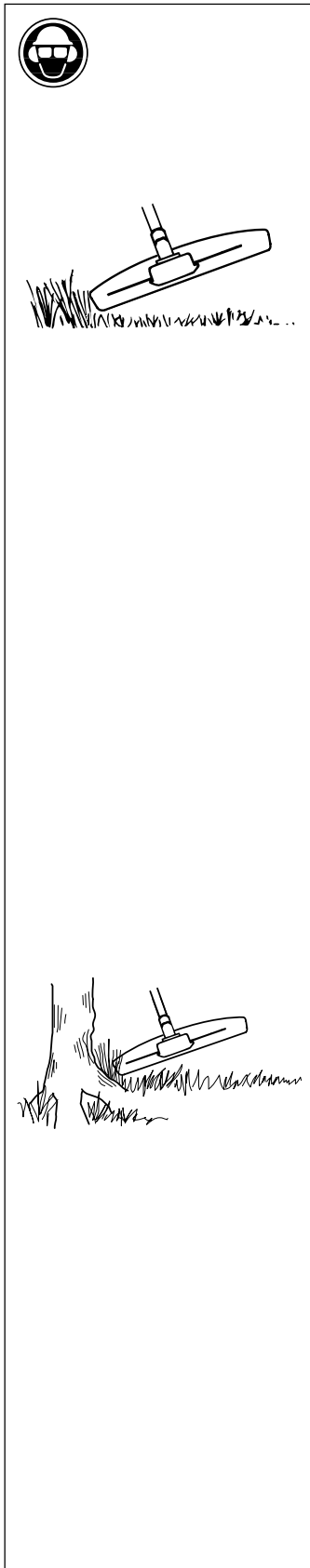


WARNING!
Warning for thrown objects. Always wear protective glasses. Never lean over the guard. Stones, rubbish, etc. can be thrown up into the eyes causing blindness or serious injury. Keep unauthorised persons at a distance. Children, animals, onlookers and helpers should be kept outside the safety zone of 15 m. Stop the machine immediately if anyone approaches.

SAFETY INSTRUCTIONS

Grass trimming using the trimmer head

- Hold the trimmer head just above the ground at an angle. It is the end of the cord that carries out the work. Let the cord work at its own pace. Do not press the cord into the area to be cut.
- The cord can easily remove grass and weeds up against walls, fences, trees and borders, however, it can also damage sensitive bark on trees and bushes and damage fence posts.
- Reduce the risk of damaging plants by shortening the cord to 10-12 cm and reducing the engine speed.

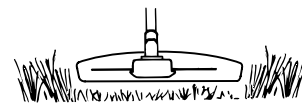


Clearing

- The clearing technique removes all unwanted vegetation. Keep the trimmer head just above the ground and tilt it. Let the end of the cord strike the ground around trees, posts, statues and the like. NOTE! This technique increases the wear on the cord.
- The cord wears quicker and must be fed forward more often when working against stones, brick, concrete, metal fences, etc. than when coming into contact with trees and wooden fences.
- When trimming and clearing you should use less than full throttle so that the cord lasts longer and to reduce the wear on the trimmer head.

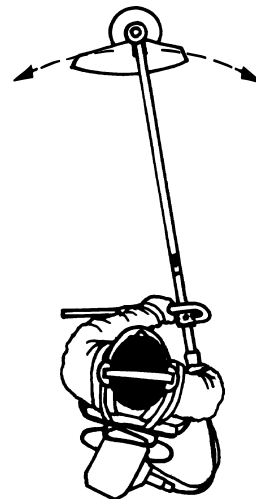
Trimming

- The trimmer is ideal to cut grass that is difficult to reach using a normal lawn mower. Keep the cord parallel to the ground when cutting. Avoid pressing the trimmer head against the ground as this can ruin the lawn and damage the tool.
- Do not allow the trimmer head to constantly come into contact with the ground during normal cutting procedures. Constant contact can cause damage and wear to the trimmer head.



Sweeping

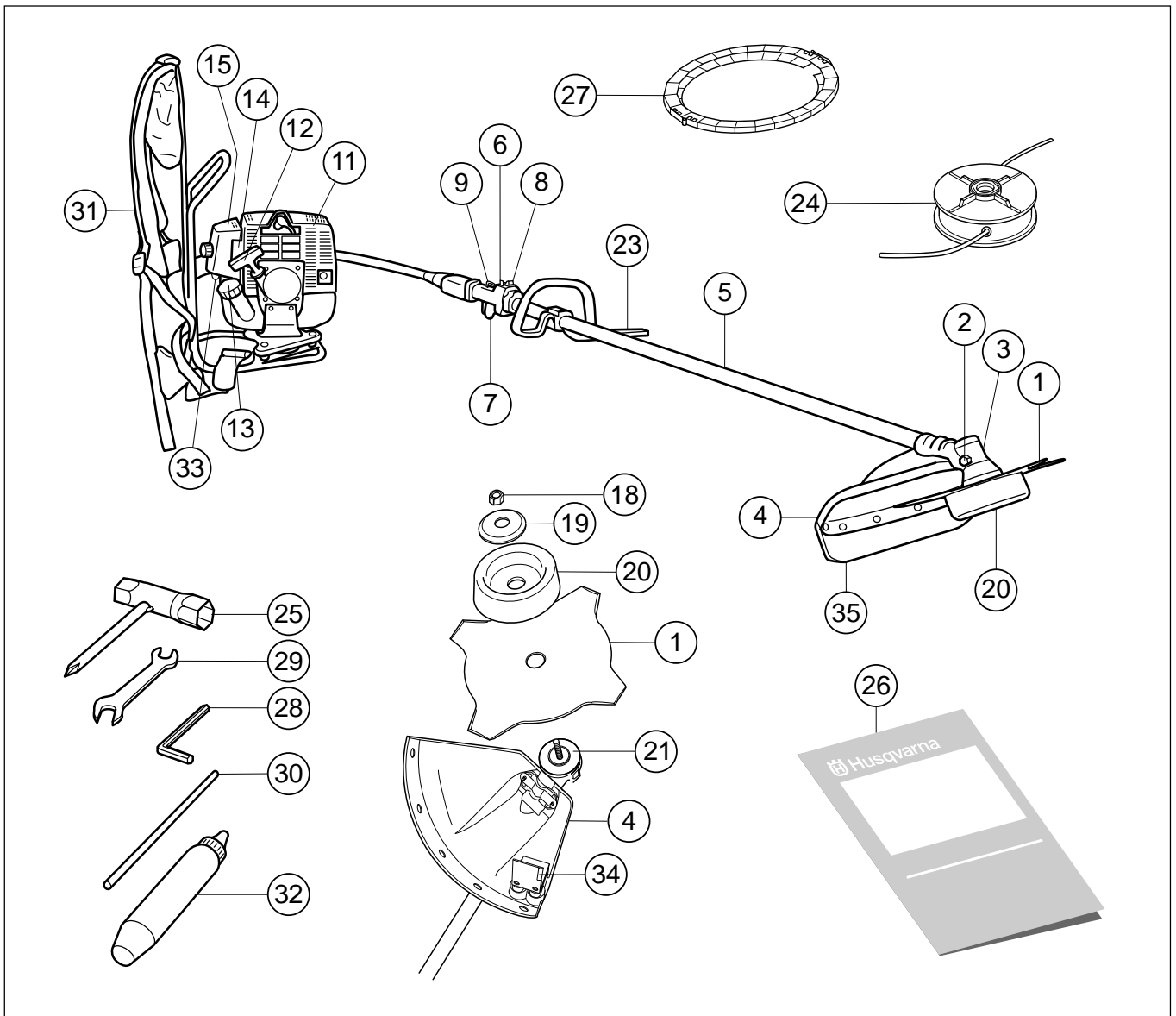
- The rotating cord's fanning effect can be used for quick and easy cleaning. Hold the cord parallel to and above the area to be swept and move the trimmer from side to side.
- When cutting and sweeping you should use full throttle to obtain the best results.



WARNING!

Warning for thrown objects. Always wear protective glasses. Never lean over the guard. Stones, rubbish, etc. can be thrown up into the eyes causing blindness or serious injury. Keep unauthorised persons at a distance. Children, animals, onlookers and helpers should be kept outside the safety zone of 15 m. Stop the machine immediately if anyone approaches.

WHAT IS WHAT?



What is what on the grass trimmer and the brushcutter?

- | | | | |
|-----|-----------------------------------|-----|-------------------|
| 1. | Blade | 20. | Support cup |
| 2. | Grease filler cap | 21. | Drive disc |
| 3. | Angle gear | 23. | J-handle |
| 4. | Blade guard | 24. | Trimmer head |
| 5. | Shaft | 25. | Socket spanner |
| 6. | Locking button for start throttle | 26. | Operator's Manual |
| 7. | Throttle | 27. | Transport guard |
| 8. | Stop switch | 28. | Allen key |
| 9. | Throttle trigger lock | 29. | Spanner |
| 11. | Cylinder cover | 30. | Locking pin |
| 12. | Starter handle | 31. | Harness |
| 13. | Fuel tank | 32. | Drive axle grease |
| 14. | Choke | 33. | Air purge |
| 15. | Air filter cover | 34. | Cord cutter |
| 18. | Locking nut | 35. | Guard extension |
| 19. | Support flange | | |

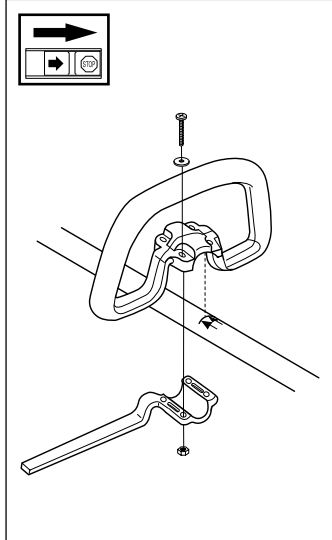
ASSEMBLY

Assembling the J-handle



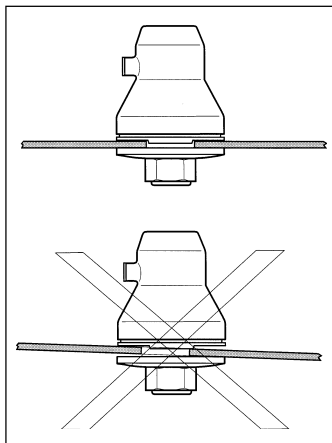
WARNING
Only grass blades or trimmer heads/
plastic blades may be used when the J-
handle is fitted. Clearing blades must
never be used with the J-handle.

- Fit the handle using the 4 screws about 30 cm in front of the throttle lever on the shaft. See the arrow mark on the shaft.
- Finely adjust the J-handle to give a comfortable working stance. Tighten the knob.



Assembly of the blade and trimmer head

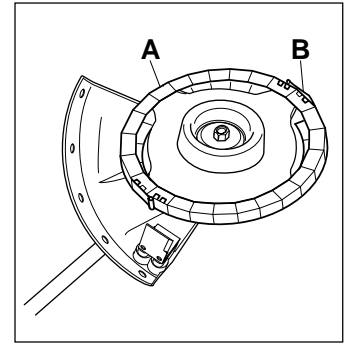
It is extremely important that the disc drive's/support flange's guide engages correctly in the cutting equipment's centre hole when assembling the cutting equipment. Cutting equipment assembled incorrectly can result in serious and/or fatal personal injury.



Under no circumstances may the cutting equipment be used without an approved guard fitted. See the chapter "Technical data". If the wrong guard or a defective guard is fitted this can cause serious personal injury.

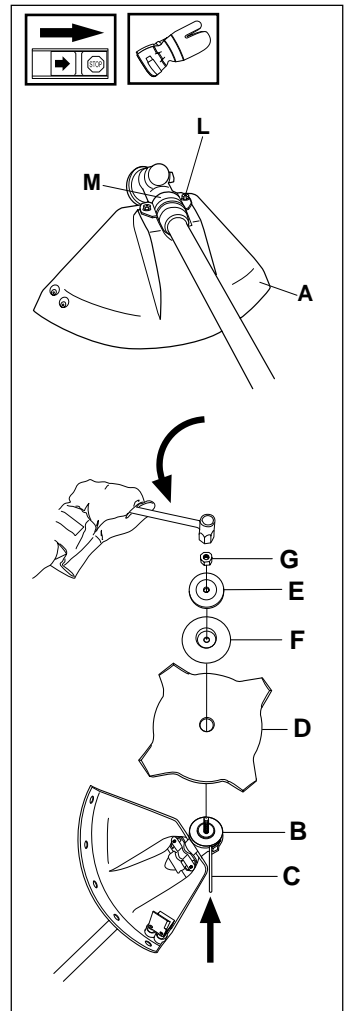
Assembling the transport guard

- 1) Insert the tips of the blade into the grooves in the transport guard (A).
- 2) Wind the guard around the blade, then snap the hook (B) to secure the transport guard.



Assembling the blade guard and grass blade

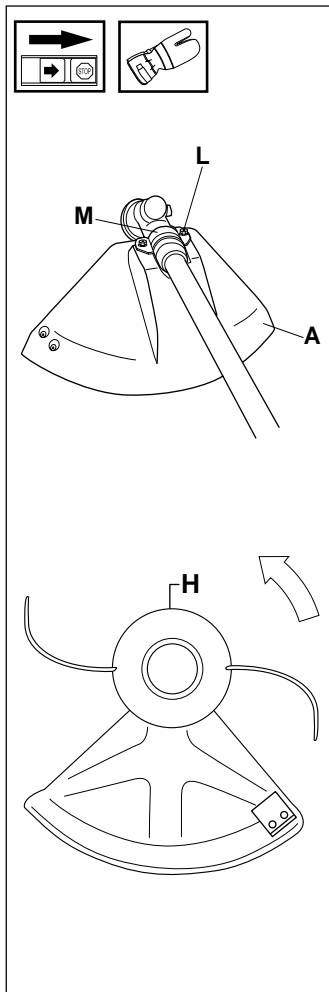
- Fit the guard (A) to the gear housing using the support plate (M) and two screws (L).
- Fit the drive disc (B) on the output axle.
- Turn the blade axle until one of the holes in the drive disc aligns with the hole in the gear housing.
- Insert the locking pin (C) in the hole so that the axle is locked.
- Place the blade (D), support cup (F) and support flange (E) on the output shaft.
- Fit the nut (G). The tightening torque of the nut is 35-50 Nm (3,5 - 5 kpm). Use the socket spanner in the tool kit. Hold the handle of the spanner as close to the blade guard as possible. The nut is tightened when the spanner is turned against the direction of rotation (left-hand thread).



ASSEMBLY

Assembling other guards and cutting equipment

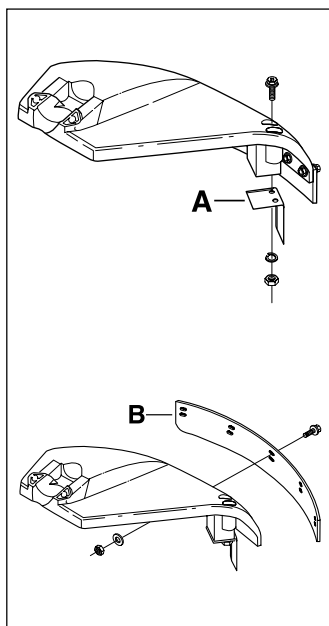
- Fit the guard (A) to the gear housing using the support plate (M) and two screws (L).
- Fit the disc drive (B) on the output axle.
- Turn the blade axle until one of the disc drive's holes aligns with the corresponding hole in the gear housing.
- Insert the locking pin (C) into the hole to lock the axle.
- Screw on the trimmer head (H) in the direction of rotation.
- Dismantling takes place in the reverse order.



Assembling the spray guard

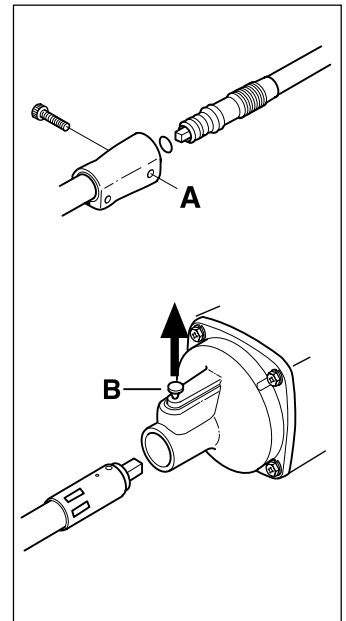
(Install the cord cutter and guard extension to the spray guard.)

- 1) Fasten the cord cutter (A) to the spray guard with two M5 x 25 screws, lock washers and hex nuts as shown.
- 2) Attach the guard extension (B) to the guard with the five M5 x 25 screws, washers and hex nuts as shown.



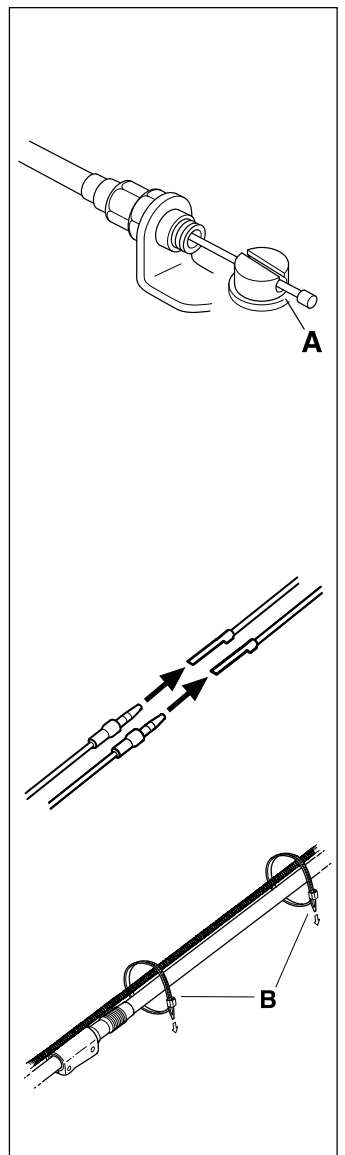
Assembling the flexible shaft

- 1) Remove the screw and insert the outer fitting (with o-ring) into the joint pipe (A), and tighten the screw.
- 2) Insert the outer fitting into the clutch case with pulling up the pin (B). Be sure pin returns to original position by spring and outer fitting never comes off from clutch case.



Connecting throttle cable and stop switch wires

- 1) Insert the throttle cable through the cable adjuster sleeve on the carburettor bracket. Make sure the end of the throttle cable housing is seated positively in the sleeve.
- 2) Position the slotted fitting on the carburettor so the recessed hole (A) is away from the cable adjuster sleeve.
- 3) Rotate the carburettor throttle cam and slip the throttle cable through the slot in the slotted fitting, making sure the cable lug drops into the recessed hole.
- 4) Operate the throttle trigger a few times to make sure that it works correctly.
- 5) Plug the stop switch wires into the matching connectors from the engine. Note that wire polarity is not important.
- 6) Bind the throttle cable and the flexible shaft with two bands (B).

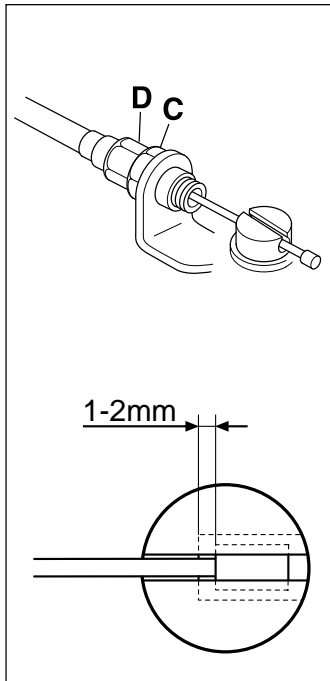


ASSEMBLY

Cable adjustment

- Throttle cable should be paralleled to flexible shaft. In case of twisting, they should be restored by parallel.
- Throttle cable should be adjusted under the bended flexible shaft as shown.

1) Loosen the lock-nut (C) and adjust the cable adjuster sleeve (D) so the stop on the carburettor throttle cam just contacts the throttle stop and the cable position keep 1–2 mm play between cable lug and slotted fittings when the throttle trigger is fully depressed.



2) When the throttle cable is adjusted correctly, tighten the lock-nut.

Adjusting the harness and brush cutter



WARNING!

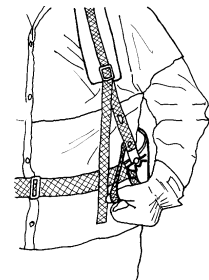
When working with the brush cutter the harness should always be worn. If this is not done, you cannot control the brush cutter safely and this can result in injury to yourself or someone else. Never use a harness with a defective quick release catch.

Quick release

On the front is an easily accessible, quick release catch:

- Pull out the red strap.
- The hip strap and one shoulder strap will be automatically released at the same time and the harness and the engine unit will slide to the ground.

Use this if the engine should catch fire or in any other emergency situation when you quickly need to take off the harness and machine.



Equal load on shoulders

A well matched saw and harness make work much easier. Adjust the harness to give the best working stance. Adjust the side straps so that the weight is equally divided across the shoulders.



FUEL HANDLING

Fuel

NOTE!

The machine is fitted with a two-stroke engine and must always be run on a mixture of petrol and two-stroke oil. It is important to measure the quantity of oil accurately, to ensure the correct mixture ratio. Small discrepancies in the amount of oil have a great bearing on the proportions of the fuel mixture when mixing small amounts of fuel.



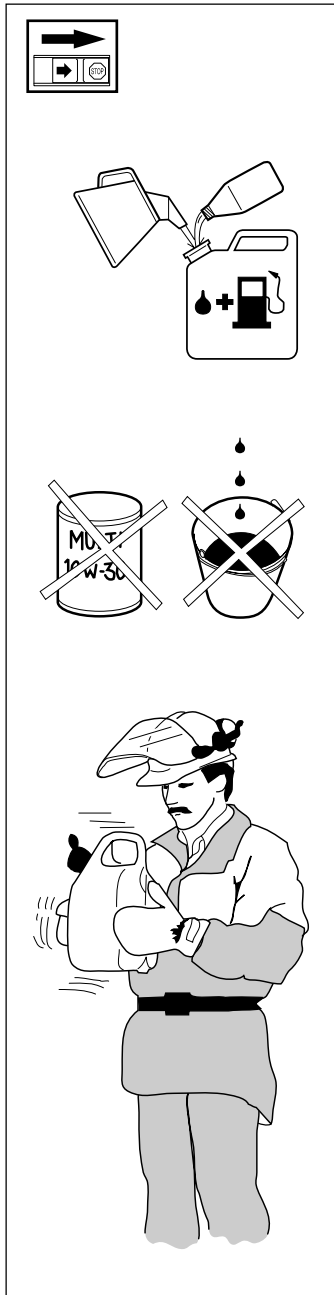
WARNING!
Always provide good ventilation when handling fuel.

Petrol

NOTE!

Always use an oil-mixed quality petrol (at least 90 octane). If your machine is equipped with a catalytic converter, (see "technical data") an unleaded, oil mixed quality petrol should always be used. A leaded petrol will destroy the catalytic converter.

- The lowest recommended octane rating is 90. If you run the engine on a petrol with a lower octane rating than 90 so-called "knocking" can occur. This leads to an increased engine temperature, which can result in a serious engine breakdown.
- When working at continuous high revs a higher octane rating is recommended.



Two-stroke oil

- For the best results use Husqvarna two-stroke oil, which has been specially produced for brush cutters and chain saws. Mixing ratio 1:50 (2%).
- If Husqvarna two-stroke oil is not available you can use a high quality two-stroke oil intended for air cooled engines. Contact your dealer when selecting an oil. Mixing ratio: 1:25 (4%).
- Never use two-stroke oil intended for water cooled outboard motors, so-called outboard motor oil.
- Never use oil intended of four-stroke engines.

Mixture

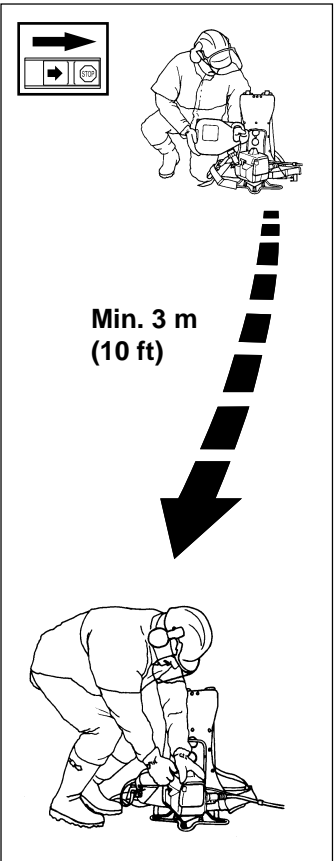
- Always mix petrol and oil in a clean container intended for petrol.
- Always start by filling half the quantity of petrol required. Then add the entire oil quantity. Mix (shake) the fuel mixture. Fill the remaining quantity of petrol.
- Mix (shake) the fuel mixture carefully before filling in the machine's fuel tank.
- Do not mix more than max. one month's supply of fuel.
- If the brush cutter is not used for a long period of time, the fuel tank should be emptied and cleaned.

Fuelling



WARNING!
The following precautions reduce the risk of fire:
Do not smoke or place any sources of heat in the vicinity of the fuel. Never refuel when the engine is running. Always stop the engine and let it cool for a few minutes before refuelling. Open the fuel cap slowly when fuelling so that any over pressure is released slowly. Tighten the fuel cap carefully after refuelling. Always move the machine from the fuelling place before starting.

- Clean around the fuel cap. Contamination in the tank can disrupt operations.
- Ensure that the fuel is well mixed by shaking the container before filling the tank.
- Always use a fuel container with an anti-spill valve.



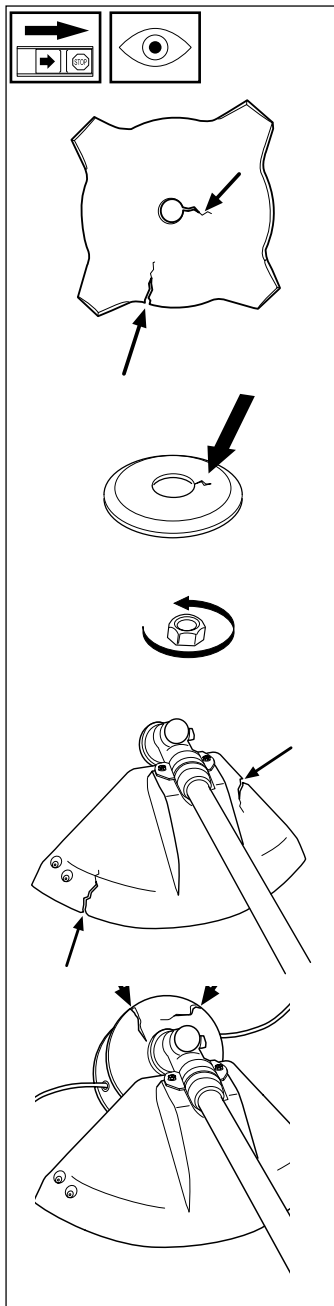
Gasolin Benzin Essence Gasolina Lit.	Oil • Öl Huile • Aceite Lit.
4%	1:25
5	0,20
10	0,40
15	0,60
20	0,80

START AND STOP

Control before starting

For reasons of safety follow these recommendations!

- Check the blade to ensure that no cracks have formed at the bottom of the teeth or by the centre hole. The most common reason why cracks are formed is that sharp corners have been formed at the bottom of the teeth while sharpening or that the blade has been used with dull teeth. Discard a blade if cracks are found.
- Check that the support flange is not cracked due to fatigue or due to being tightened too much. Discard the support flange if it is cracked.
- Ensure the locking nut has not lost its captive force. The nut lock should have a locking force of at least 1.5 Nm. The tightening torque of the locking nut should be 35-50 Nm.
- Check that the guard is not damaged or cracked. Replace the guard if it is exposed to impact or is cracked.
- Check that the trimmer head and spray guard are not damaged or cracked. Replace the trimmer head or spray guard if they are exposed to impact or are cracked.
- Never use the machine without a guard or spray guard nor with a defective guard.



Start and stop



WARNING!
The complete clutch cover with shaft must be fitted before the machine is started, otherwise the clutch can become loose and cause personal injury. Always move the machine from the filling area before starting. Place the machine on a flat surface. Ensure the cutting equipment cannot come into contact with any object. Make sure no unauthorised persons are in the working area, otherwise there is a risk of serious personal injury. The safety distance is 15 metres.

Cold engine

IGNITION: Set the stop switch to the start position.
CHOKE: Set the choke control in the choke position.

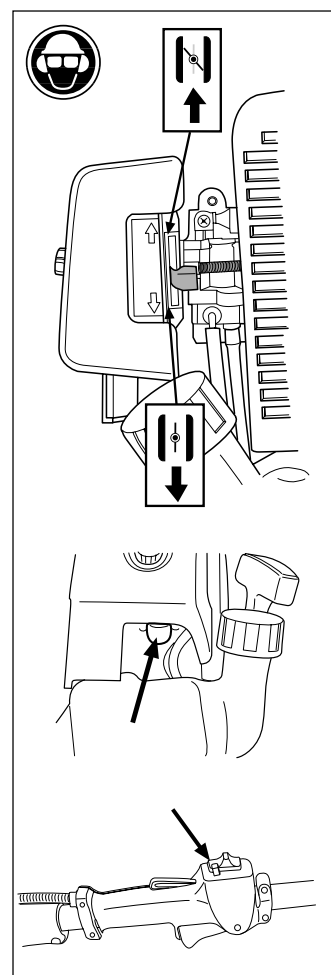
AIR PURGE: Prime with fuel by pressing the diaphragm repeatedly until fuel begins to run back into the tank through the transparent fuel hose.

Warm engine

Use the same starting procedure as for the cold engine, but do not set the choke control in the choke position. Set the throttle to the start position by pressing the throttle trigger and then pressing the red button next to the stop button.

Stop

Stop the engine by switching the stop switch to the stop setting.

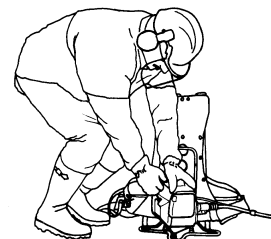


WARNING!
When the engine is started with the choke in the choke or start position the cutting equipment starts to rotate immediately.

Start

Press the machine body against the ground using your left hand (NOTE! Not your foot). Grip the starter handle, slowly pull out the cord with your right hand until you feel some resistance (the starter pawls grip), now quickly and powerfully pull the cord.

Reset the choke control as soon as the engine fires and repeat until the engine starts. When the engine starts quickly apply full throttle and the start throttle will automatically disengage. NOTE! Do not pull the starter cord out completely and do not release the starter cord from the fully extended position. This can damage the machine.



MAINTENANCE

Carburettor

Your Husqvarna product has been designed and manufactured to specifications that reduce harmful emissions. After your unit has been run 8-10 tanks of fuel the engine has broken in. To ensure that your unit is at peak performance and producing the least amount of harmful emissions after break in, have your authorized servicing dealer, who has a revolution counter at his disposal, to adjust your carburettor for optimum operating conditions.



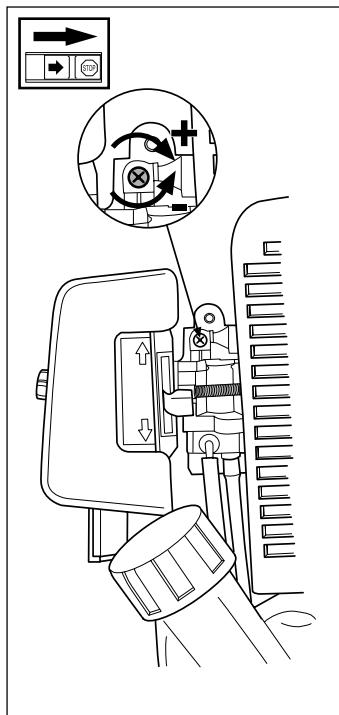
WARNING!
The complete clutch cover with shaft must be fitted before the machine is started, otherwise the clutch can become loose and cause personal injury.

Operation

- The carburettor governs the engine's speed via the throttle. Air/fuel is mixed in the carburettor. The air/fuel mixture is adjustable. To take advantage of the engine's optimal output the adjustment must be correct.
- The setting of the carburettor means that the engine is adapted to local conditions, for example, the climate, altitude, petrol and the type of 2-stroke oil.

Idle speed adjustment (T)

- Check that the air filter is clean. When the idle speed is correct, the trimmerhead will not rotate. If adjustment is required, close (clockwise) the T-screw, with the engine running, until the trimmerhead starts to rotate (3 400 rpm). Open (counterclockwise) the screw until the trimmerhead stops. You have reached the correct idle speed (abt 2 600 rpm) when the engine runs smoothly in all positions well below the rpm when the trimmerhead starts to rotate.



WARNING!
Contact your servicing dealer, if the idle speed setting cannot be adjusted so that the cutting attachment stops. Do not use the machine until it has been properly adjusted or repaired.

NOTE!

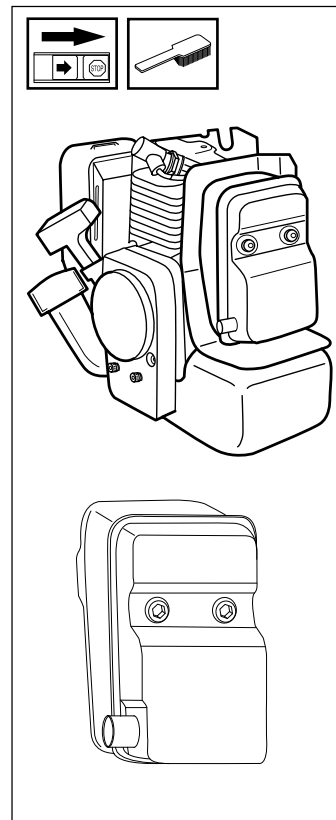
The machine should only be used for short periods at its highest speed.

Muffler

NOTE!

Some mufflers are fitted with a catalytic converter. See "Technical data" to see whether your brush cutter is fitted with a catalytic converter.

The muffler is designed to dampen the noise level and to direct the exhaust fumes away from the user. The exhaust fumes are hot and can contain sparks, which can result in fire if the exhaust fumes are directed towards a dry and inflammable material. Some mufflers are equipped with a special spark arrestor screen. If your machine is fitted with this type of screen it should be cleaned regularly. This is done using a wire brush. On mufflers without a catalytic converter the screen should be cleaned weekly, or replaced if necessary. On mufflers fitted with a catalytic converter the screen should be checked and cleaned monthly. **If the screen is damaged it should be replaced.**



If the screen is frequently blocked, this can be a sign that the function of the catalytic converter is impaired. Contact your dealer to inspect the muffler. A blocked screen will cause the engine to overheat resulting in damage to the cylinder and piston. Also see under "Maintenance".

NOTE! Never use a machine with a defective muffler.

MAINTENANCE

Cooling system

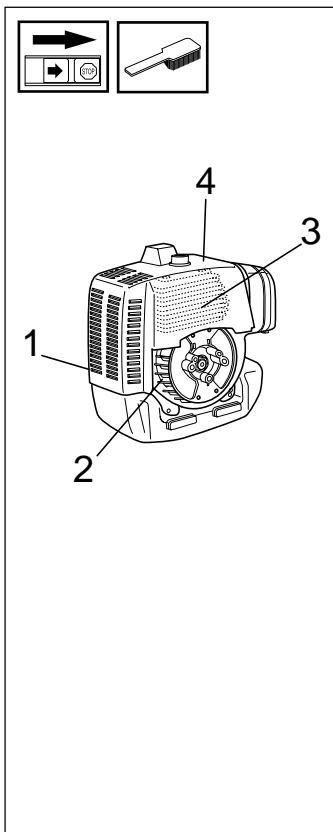
To maintain as low an operating temperature as possible the engine is equipped with a cooling system.

The cooling system consists of:

1. An air intake on the starter unit.
2. Cooling fins on the flywheel.
3. Cooling fins on the cylinder
4. Cylinder cover (leads cold air onto the cylinder).

Clean the cooling system using a brush at least once a week, in difficult conditions more often.

A dirty or blocked cooling system leads to the engine overheating resulting in damage to the cylinder and piston.



Air filter

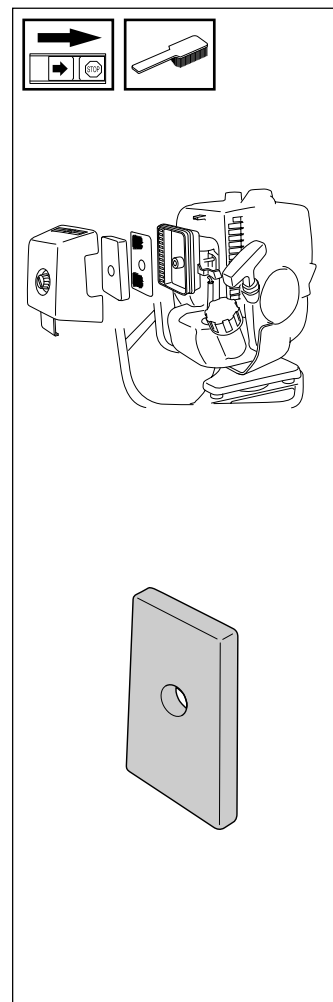
The air filter should be cleaned regularly removing dust and dirt to avoid:

- carburettor malfunction
- starting problems
- reduced engine power
- unnecessary wear to engine parts
- abnormal fuel consumption

Clean the filter after every 25 hours or more regularly if operating conditions are exceptionally dusty.

Cleaning the air filter

Dismantle the air filter cover and remove the air filter. Wash in clean, warm soapy water. Ensure that the filter is dry before refitting. An air filter used for a long period of time can never be cleaned completely. Therefore it is necessary to replace the filter from time to time with a new filter. A damaged air filter must always be replaced.



Drive shaft

The flexible drive shaft is lubricated with special grease. The shaft must be lubricated at least every 25 working hours. A tube of drive shaft grease is supplied with every machine.

NOTE! Do not use gearbox grease on the drive shaft.

- Lift up the locking button that holds the drive shaft sleeve in the clutch cover.

- Remove the clip that holds the throttle cable on the drive shaft.

- Pull the drive shaft sleeve out of the clutch cover.

- Remove the drive shaft from the sleeve either by shaking it out or pulling it out using pliers.

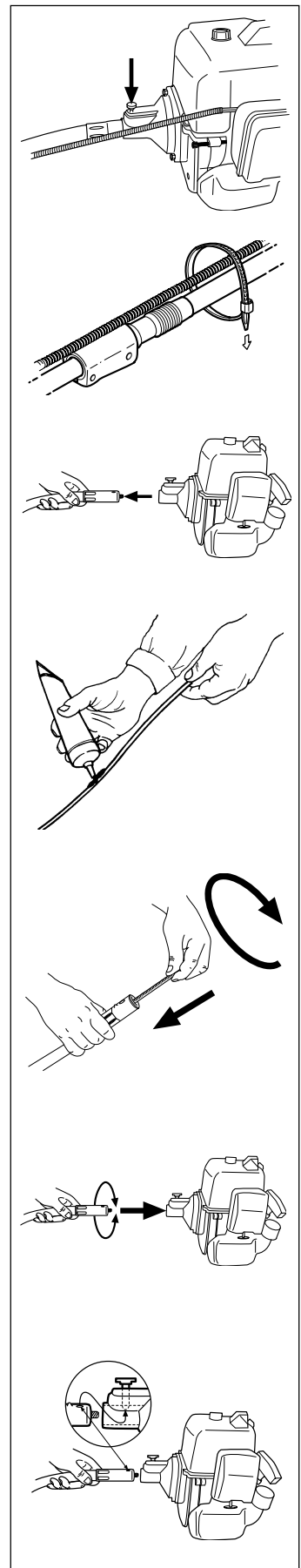
- Coat the surface of the shaft with grease from the tube. Spread it out using a brush or rag.

- Slide the drive shaft back into the sleeve. Make sure the shaft engages correctly by turning it and pushing at the same time.

- When the shaft is correctly installed in the sleeve the end of the shaft should project about 10 mm beyond the edge of the sleeve.

- Rotate the shaft and push it in at the same time.

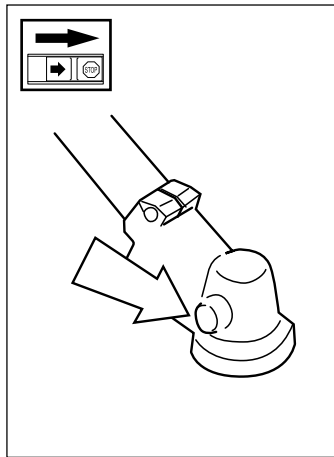
- Install the drive shaft sleeve in the clutch cover so that the hole is positioned directly underneath the locking button on the clutch cover.



MAINTENANCE

Angle gear

The angle gear is filled with a sufficient quantity of grease at the factory. However, before using the machine you should check that the angle gear is filled to 3/4 with grease. Use Husqvarna special grease. Normally, the grease does not need to be changed except when the angle gear is repaired.

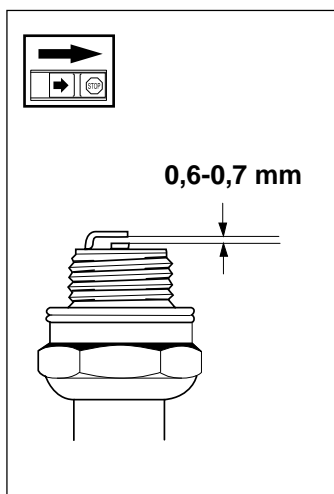


Spark plug

The condition of the spark plug is affected by:

- An incorrect carburettor setting.
- An incorrect fuel mixture (too much or faulty oil).
- A dirty air filter.

These factors cause deposits on the spark plug electrode that may result in malfunction or starting difficulties.



If the machine is low on power, difficult to start or runs poorly while idling always check the spark plug first.

If the spark plug is dirty, clean it and at the same time check that the electrode gap is 0,6–0,7 mm. The spark plug should be changed after about one month of operation or earlier if necessary.

NOTE! Always use the recommended type of spark plug. An incorrect spark plug can damage the cylinder/piston.

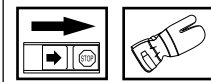
Filing the grass blade



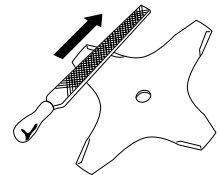
WARNING!

Always stop the engine before starting work on any part of the cutting equipment. This continues to rotate even after the throttle has been released. Ensure that the cutting equipment has stopped completely and remove the cable from the spark plug before you start to work on it.

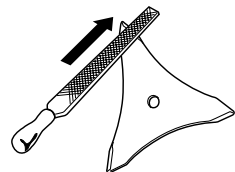
- See the cutting equipment's packaging for correct filing instructions.



- The blades are sharpened using a single cut flat file.



- Sharpen all edges equally to maintain the balance of the blade.



WARNING!

Always discard a blade that is bent, twisted, cracked, shattered or damaged in any other way. Never attempt to straighten a twisted blade for use again. Only use original blades of the prescribed type.

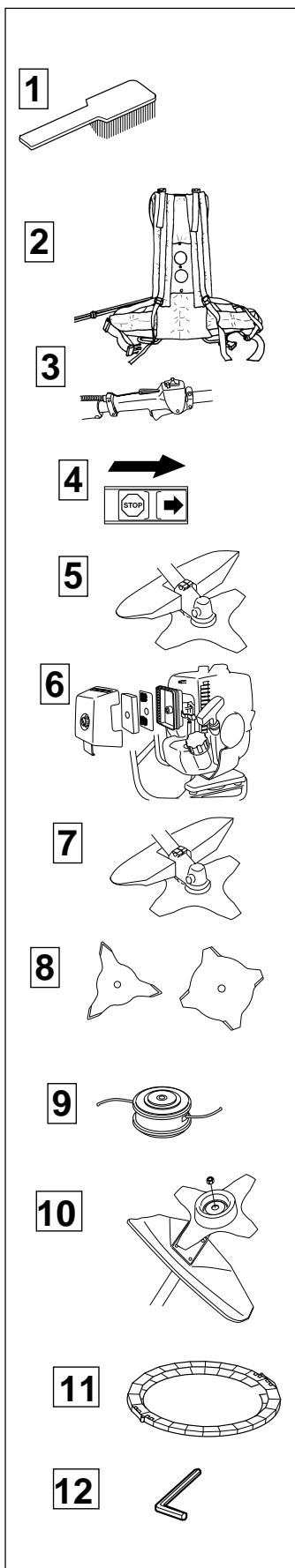
MAINTENANCE

Maintenance schedule

Below follows some general maintenance instructions. If you need further information please contact your service workshop.

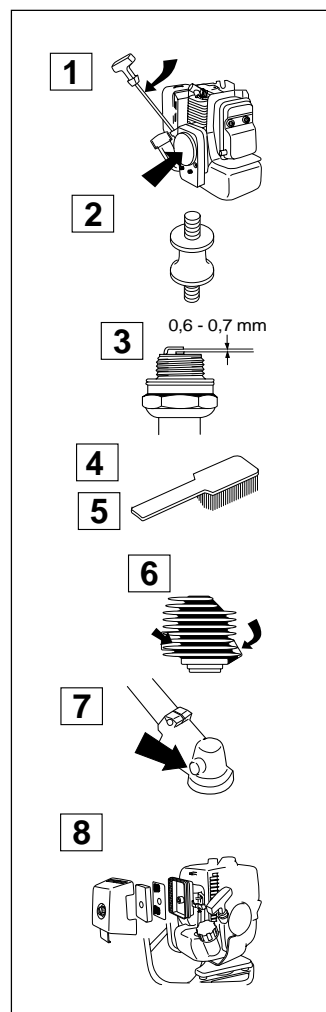
Daily maintenance

1. Clean the outside of the machine.
2. Make sure the harness is not damaged.
3. Make sure the throttle trigger lock and the throttle function correctly from a safety point of view.
4. Check that the stop switch functions.
5. Check that the cutting head does not rotate while idling.
6. Clean the air filter. Replace if necessary.
7. Check the guards for damage and ensure that they are not cracked. Replace the guards if they have been exposed to impact or are cracked.
8. Check that the blade is well centred, is sharp, and is not cracked. An uncentred blade causes vibrations that can result in damage to the machine.
9. Check that the trimmer head is undamaged and not cracked. Replace the trimmer head if necessary.
10. Check that the locking nut is tight.
11. Check that the blade's transport guard is intact and that it can be secured correctly.
12. Check that all nuts and screws are tightened.



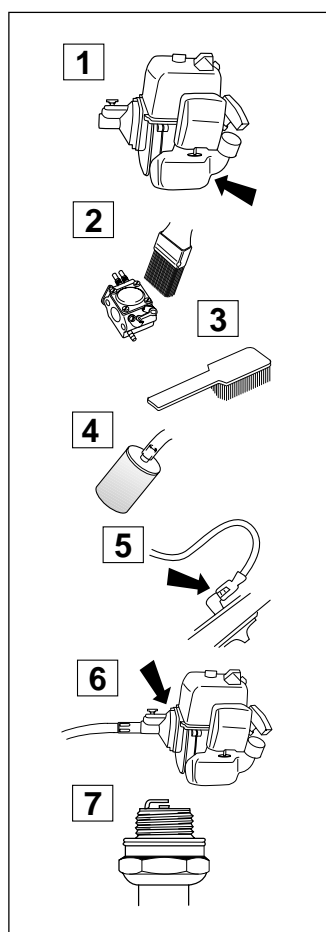
Weekly maintenance

1. Check the starter, the starter cord and the return spring.
2. Make sure that the vibration damping elements are not damaged.
3. Clean the outside of the spark plug. Remove and check the electrode gap. Adjust the gap to 0,6–0,7 mm (0,02–0,03 inch) or change the spark plug.
4. Clean the cooling fins on the flywheel.
5. Clean or replace the muffler's spark arrestor screen (not on mufflers with a catalytic converter).
6. Clean the carburettor area.
7. Clean the cooling fins on the cylinder and check that the air intake in the starter unit is not blocked.
8. Check that the angle gear is 3/4 filled with grease. Fill if necessary using special grease.



Monthly maintenance

1. Clean the fuel tank using petrol.
2. Clean the carburettor and the area surrounding it.
3. Clean the fan and the area around it.
4. Check the fuel filter and the fuel pipe, replace if necessary.
5. Check all cables and connections.
6. Check the clutch, clutch springs and the clutch drum with regard to wear. Replace if necessary.
7. Change the spark plug.



TECHNICAL DATA

Technical data	142RB	152RB
Engine		
Cylinder capacity, cm ³ /cu. inch	41,5/2,53	50,2/3,06
Cylinder bore, mm/inch	40/1,57	44/1,73
Stroke length, mm/inch	33/1,30	33/1,30
Idling speed, rpm	2 600	2 600
Recommended max. speed, rpm	10 400	10 400
Speed of output axle, rpm	8 060	8 060
Max. engine output, acc. to ISO 8893	1,3kW/ 6 500 rpm	1,5kW/ 6 500 rpm
Catalytic converter muffler	No	No
Speed-regulated ignition system	No	No
Spark arrestor screen	No	No
Ignition system		
Manufacturer/type of ignition system	Ikeda Denso	Ikeda Denso
Spark plug	NGK BPMR6Y	NGK BPMR6Y
Electrode gap, mm/inch	0,6-0,7/0,02-0,03	0,6-0,7/0,02-0,03
Fuel lubrication system		
Manufacturer/type of carburettor	Walbro WYJ	Walbro WYJ
Fuel tank capacity, litres/US pint	1,0/2,11	1,0/2,11
Weight		
Weight without fuel, cutting tool and guard, kg/lbs	11,5/25,4	11,5/25,4
Noise levels		
Equivalent noise pressure level at the user's ear, measured according to prEN 31806 and ISO 7917, dB(A), min/max:	97/98	97/98
Equivalent noise power level at the user's ear, measured according to prEN 31806 and ISO 10884, dB(A), min/max:	109/110	109/110
Vibration levels		
Vibration levels on the handles, measured according to prEN 31806 and ISO 7916, m/s		
When idling, left/right handles, min:	1,4/1,4	1,4/1,4
When idling, left/right handles, max:	1,4/1,4	1,4/1,4
At max. speed, left/right handles, min:	1,5/2,3	1,5/2,3
At max. speed, left/right handles, max:	11,5/9,0	11,5/9,0

NOTE!

The noise and vibration measurements are made with all for the machine approved cutting equipment. The maximum and minimum values are stated in the table above.

Approved accessories 142RB/152RB	Type	Cutting attachment guard Art No.
Centre hole in blades Ø 20 mm		
Threaded blade axle M12		
Grass blade/grass knife	Multi 275-4 (Ø 275 4-teeth)	531 00 77-01
	Multi 300-3 (Ø 300 3-teeth)	531 00 77-01
Trimmer head	Trimmy S II	531 00 77-01
	Trimmy H II	531 00 77-01
	Superauto III	531 00 77-01
	Fixed	-
Support cup		

EU declaration of conformity (Only applies to Europe)

(Directive 98/37/EC, Annex II, A)

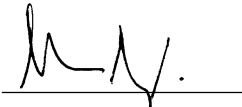
We, **Husqvarna AB**, S-561 82 Huskvarna, Sweden, tel. +46 36-146500, declare under sole responsibility that the brush cutters Husqvarna **142RB/152RB** from the serial numbers of 1999 and onwards (the year is clearly stated in plain text on the type plate with subsequent serial number), is in conformity with the following standards or other normative documents following the provisions in the COUNCIL'S DIRECTIVES:

- of June 22 1998 "relating to machinery" **98/37/EC**.
- of May 3 1989 "relating to electromagnetic compatibility" **89/336/EC**, and applicable supplements.

The following standards have been applied: **EN292-2, EN11806, ISO14865, ISO14740, CISPR 12**.

SMP Svensk Maskinprovning AB, Fyrisborgsgatan 3, S-754 50 Uppsala, Sweden, has carried out voluntary type approval for Husqvarna AB. The certificate is numbered: **SEC/99/670** – 142RB, **SEC/99/671** – 152RB.

Huskvarna 13 August, 1999



Anders Ströby, Product manager.





 **Husqvarna**

We hope you find the links below useful. For further gardening information visit
www.GardenResources.co.uk

Blower Vacs	Brush cutters	Brushcutters	Chainsaws	Chain saws
Cultivators	Cylinder lawn mowers	Cylinder mowers	Echo chainsaws	Echo Strimmers
Electric chainsaws	Fertiliser spreaders	Garden blowers	Garden rollers	Garden shredders
Garden tractors	Garden vacuums	Hayter lawn mowers	Hedge cutters	Hedgecutters
Hover mowers	Husqvarna chainsaws	Kawasaki brush cutters	Kawasaki trimmers	Lawn mowers
Lawn scarifiers	Lawn tractors	Leaf blowers	Leaf vacuums	Petrol chainsaws
Petrol hedge cutters	Ride on lawn mowers	Ride on mowers	Rotary mowers	Rotavators
Ryobi trimmers	Scarifiers	Strimmers	Westwood lawn tractors	Westwood ride on mowers
Westwood tractors	Brush Cutters	Brushcutters	Blower Vacs	Chain Saws
Chainsaws	Cultivators	Cylinder Lawn Mowers	Echo Chainsaws	Echo Strimmers
Electric Chainsaws	Fertiliser Spreaders	Garden Blowers	Garden Rollers	Lawn Rollers
Garden Shredders	Garden Tractors	Garden Vacuums	Hayter Lawn Mowers	Hedge Cutters
Hedgecutters	Hover Mowers	Husqvarna Chainsaws	Kawasaki Brush Cutters	Kawasaki Strimmers
Lawn Mowers	Scarifiers	Lawn Tractors	Leaf Blowers	Leaf Vacuums
Petrol Chainsaws	Petrol Hedge Cutters	Ride on Lawn Mowers	Ride on Mowers	Rotary Mowers
Rotovators	Ryobi Strimmers	Garden Patio Heaters	Outdoor Patio Heaters	Gas Patio Heaters
Patio Heaters	Patio Heater Covers	Garden Heaters	Greenhouse Heaters	Green House Heaters
Gas Greenhouse Heaters	Stainless Steel Patio Heaters	Table Top Patio Heaters	Patio Heaters UK	Patio Heaters with Covers
Christmas Gardening Gifts	Garden Tractors	Ride on Lawn Mowers	Ride on Mowers	

Also See

[Gardening Tools Direct](#), for lawn mowers, brush cutters, chainsaws
[Gardening Supply](#) for patio heaters, lawn mowers, chainsaws
[Garden Tractor](#), for lawn tractors and ride on mowers